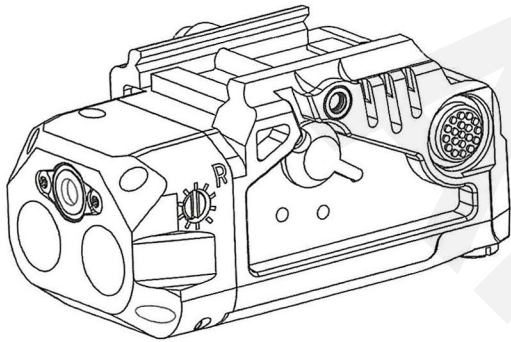


FMA ENHANCER LIGHT



ALWAYS READ THROUGH THIS MANUAL BEFORE OPERATION



Operation parameters	
Manufacturer	FMA
Size	67mm(L) x 35mm(W) x 35mm(H)
Weight	62g(Net weight)
Material	Nylon
IR laser power	0.24mW
Infrared LED power	24mW
White LED indication	203.5lm
Input voltage	3V

Features



Flashlight



IR infrared la



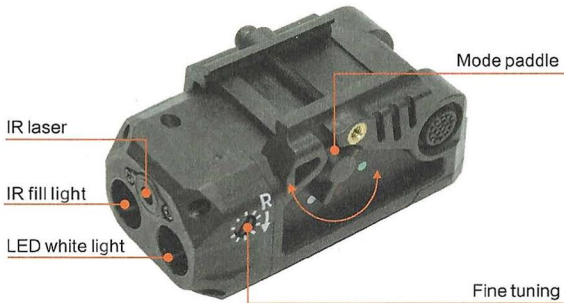
Anti shaking and anti falling



6H battery life

Operating Mode Description Table

Gear	Function	Electric power
White gear	White LED	Power: 2.2w
Red gear	Off	
Green gear	IR+IR fill light	Power: 0.73w



Mode paddle pointing definition

1. White - Vis light
2. Red - OFF
3. Green - IR laser/IR fill light



- BK
- DE

model:	TB1457	vibration amplitude:	60mm/s
battery:	CR123A battery	Gear:	3rd speed rotary switch
operation temperature:	-10~50°C	protection grade:	IPX4
switch:	Key switches located on both sides of the device for easy left and right control in pitch black, click to close		
size:	67mm(L) x 35mm(W) x 35mm(H) Not lower than the trigger retaine		

Product advantages

Laser lamp intensifiers have many advantages. The laser lamp intensifier has the function of infrared+infrared LED illuminator+white LED illuminator. The LED illuminators are placed side by side, and the infrared laser is located directly above and in the middle of them, so the laser is aligned with the M17 hole. The laser lamp intensifier has a fine adjustment function that can effectively adjust to zero. The left side of the product has a 3-speed rotary switch, which can better distinguish and use each gear. There are touch switches on both sides of the laser light intensifier, which can activate and turn on the laser light intensifier more flexibly. The battery compartment of the laser lamp intensifier is locked with screws and can be tightened and installed with a slotted screwdriver. There is no need to remove the laser light when replacing the battery. And it will not move when replacing the battery. The laser lamp intensifier is powered by a single CR123A battery.

There are three modes of adjustment:

White - LED white light red - off green - IR laser/IR fill light